



- ELEGANT
- EFFICIENT
- ERGONOMIC

CLASSROOM  
FURNITURE



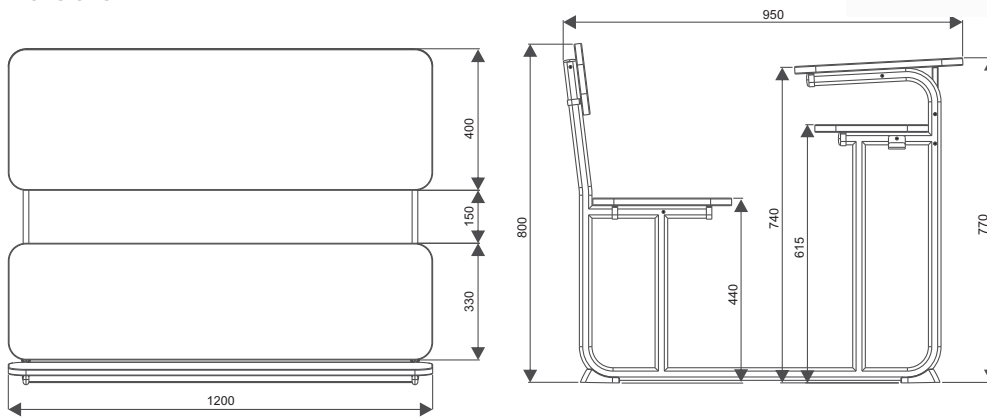
**Performer**  
— Topper of the class —

An integrated two-seater desk cum bench which is ideally suited for modern classrooms, Performer is designed with high user safety in mind.

- Round top edges for safe use
- Angled table top for comfort when writing
- Structure is completely free from any sharp edges
- Sturdy and robust construction for durability



## Dimensions



Over all Dimensions	Table Desk Height	Table Bench Height	Bench Seat & Seat Back Angle
1200(W) x 945(D) x 770mm (H)	Front End 770mm Ht, User End 740mm Ht (Angle Slant of 3 Deg.)	440mm Ht.	7 Degree

## Technical Specifications:

- Leg : Oval Pipe (2 Nos. ) – 30.5 x 16 x 1.6mm Thk MS Pipe
- Leg Clamp : 56 x 32 x 2mm Thk CRCA
- Stiffener / Tie Member : (4 Nos. of Assembly) - 1084(W) x25(D)x25 (H) x1.6mm Thk,
- Metal Modesty : 1 No. (1084 W x 200 H x 15mm T) in 0.8mm Thk CRCA



Wipro Enterprises Private Limited - **Furniture Business**

Doddakannelli, Sarjapur Road, Bangalore - 560035

Customer care number: 1800 425 1969

Write to us at [vibrant.solutions@wipro.com](mailto:vibrant.solutions@wipro.com)

Ahmedabad: +91 79 40073546, Bangalore: +91 80 40541237, Chandigarh: +91 172 2661355, Chennai: +91 9500088426

Cochin: +91 9387881504, Hyderabad: +91 40 27176082, Indore: +91 731 4023486, Kolkata: +91 33 22829268

Mumbai: +91 7406002777, Nagpur: +91 712 2233562, New Delhi: +91 11 41708122, Pune: +91 20 25535081

Vadodara: +91 8758856507