





IT TAKES TWO TO TANGO

YOU AND YOUR CHAIR

Tango, brought to you by Wipro Furniture represents a refreshing concept in multifunctional seating.

Simple yet powerful, designed with modern and distinctive features.



STURDY

sleek yet strong

Don't mistake the delicate curve of Tango's profile and silhouette. The body is made of high density polypropylene which has extreme resistance to rough handling and scratches, while the metal understructure offers excellent stability.

Tango comes with 5 years warranty

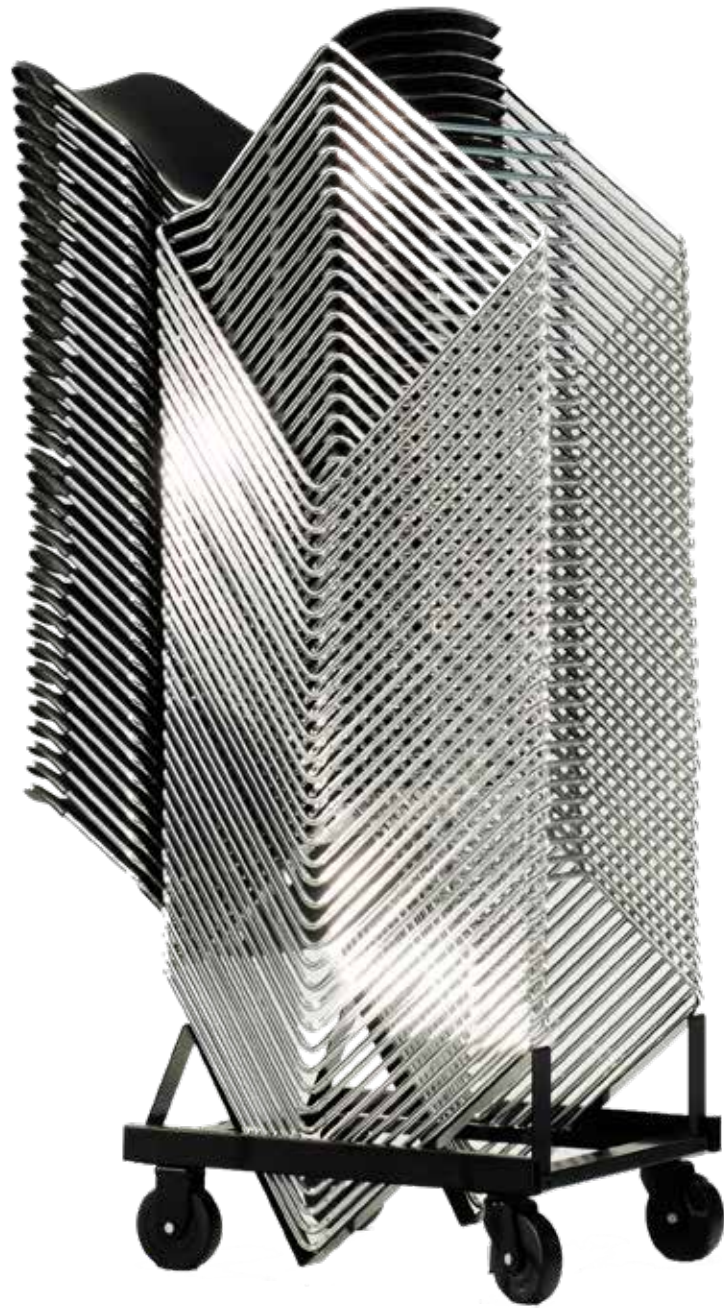


CONTEMPORARY

clean and contoured profile

Tango is a harmonious combination of curved and straight lines, creating a new and playful style. The ergonomic polypropylene shell with sleek metallic legs gives it a well defined profile.

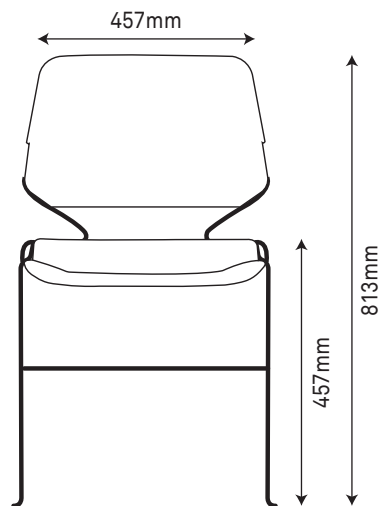




STACKABLE

high density stackable chair

The key advantage of Tango is that it is one of the most efficient stacking chairs designed with a trolley system. Up to 25 chairs can be stacked and can pass through a standard doorway. This space saving chair is relatively easy to handle, hence stacking is not cumbersome.



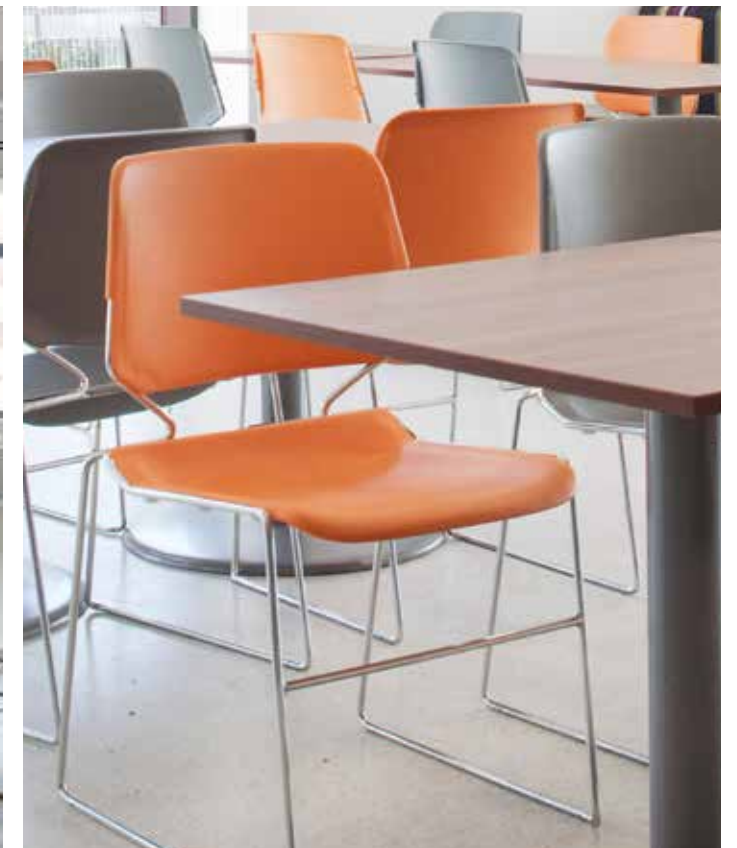
Colour Options



Ordering Code

Model Name	Base Options	Colour Options		
TANGO	Powder Coated (PC)	RED (Red)	BLU (Blue)	GRE (Green)
	Chrome Plated (CR)	ORA (Orange)	GRY (Grey)	

eg. For selecting the code for Tango Chrome Plated in colour Grey, mention TANGOCRGRY



Applications: Office Cafeterias & Canteens, Training Rooms and Public Seating Spaces.

Wipro Seating Advantage

Wipro Seating provides safe and healthy seating that enhances productivity through:

- Ergonomic designs for better user comfort
- Use of BIFMA* certified components
- Trendy and stylish range for different applications
- Trustworthiness and reliability of Wipro



Wipro Enterprises (P) Limited - Furniture Business,
Block-C, 3rd Floor, Doddakannelli, Sarjapur Road, Bangalore - 560 035.
Tel.: 080-28440011. Fax: 080-28440057. email: vibrant.solutions@wipro.com

Branch Offices:

Ahmedabad: +91 79 40073546, Hyderabad: +91 40 27176082,
New Delhi: +91 11 411708122, Bangalore: +91 80 40541237, Indore: +91 731
4023486, Pune: +91 20 25535081, Chandigarh: +91 172 2661355,
Kolkata: +91 33 22829268, Chennai: 9840512350, Mumbai: +91 7406002777,
Cochin: +91 938 7881504, Nagpur: +91 712 2233562,
Vadodara: +91 9974620001

www.wiprofurniture.in

Innovation and Design is a way of life at Wipro. We reserve the right to modify the product without prior intimation.



Wipro is a member of BIFMA International
The Business and Institutional Furniture
Manufacturer's Association